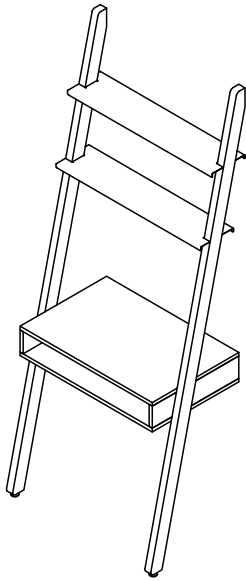


Apartment Ladder Desk.

Product code KUS02/3-3003

KUSUDICO

Purpose Driven Conscious Living

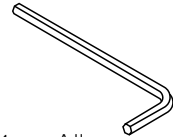
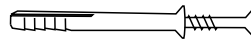


Thank you for purchasing the **Apartment Ladder Desk**. This page lists all the contents included in the box. This Product comes in 2 boxes, please take the time to identify the hardware and contents per box. 2 x Apartment Ladder Desk shelf

Assembly hardware:

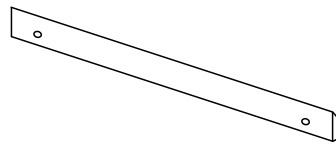


4 x Large Screws, 8 x Medium Screws,



2 x Nail Anchor Screws, 1 x Allen wrench

User Components:



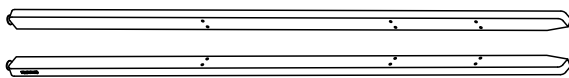
Apartment Ladder Desk wall cleat.

Note: User will also need a blanket or soft material to place the components on to prevent damage to the wall whilst assembling.

Components in Box 1:

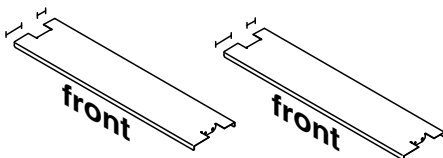
1 x Apartment Ladder Desk Right leg

1 x Apartment Ladder Desk left leg



2 x Apartment Ladder Desk shelf

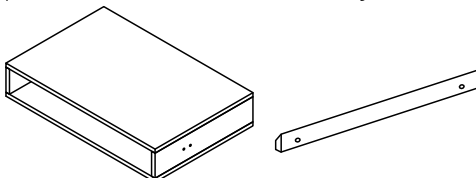
The front of the shelf has the longer side



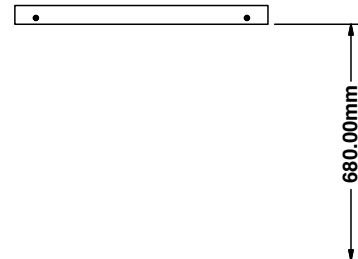
Components in Box 2:

1 x Apartment Ladder Desk wall cleat

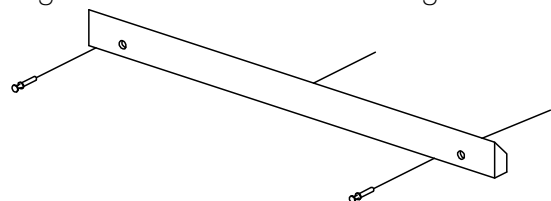
1 x Apartment Ladder Desk body



step 1



Place the cleat on the 680mm mark and ensure it's level, through the holes mark the wall with a pencil, where the holes need to be drilled. Fasten the cleat into the wall with the **Nail Anchor Screws**, making sure that the long flat side of the cleat is facing down.

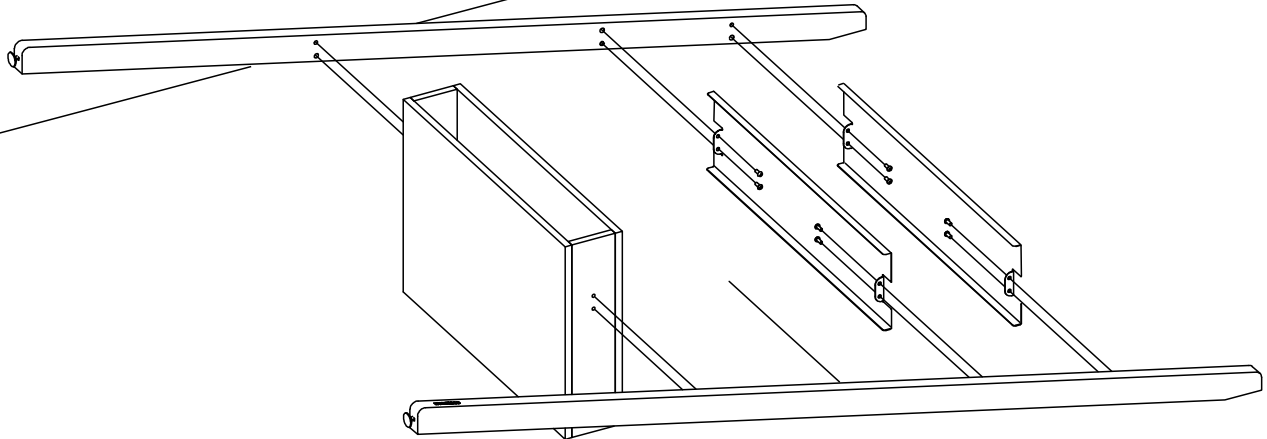


Apartment Ladder Desk.

Product code KUS02/3-3003

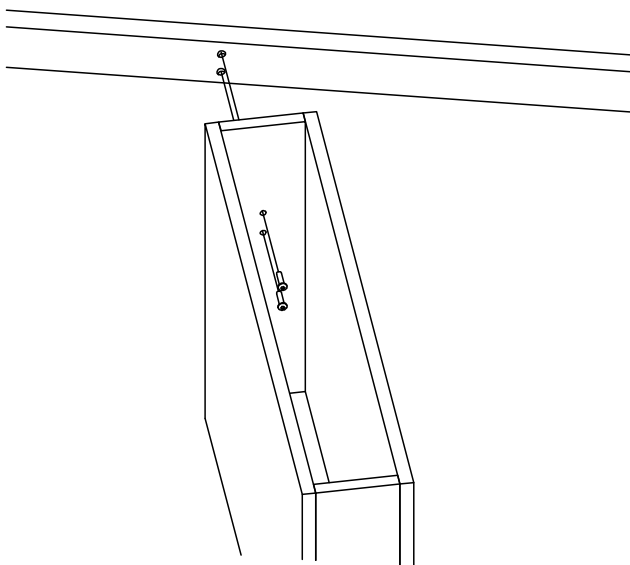
KUSUDICO
Purpose Driven Conscious Living

step 2



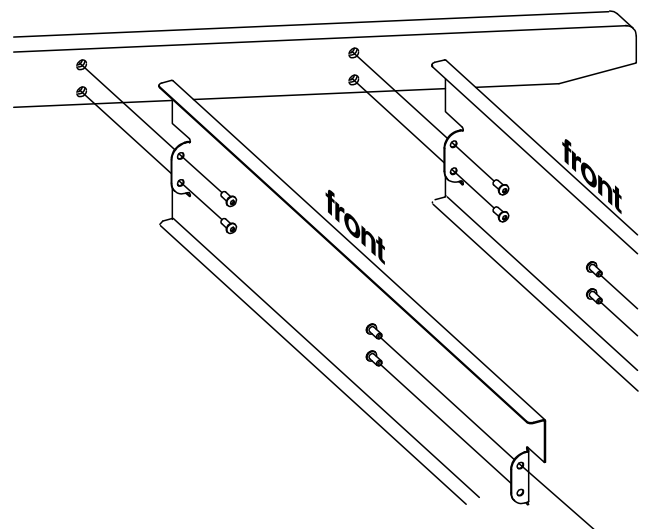
Place the **Apartment Ladder Desk body** on a flat protective surface like a cloth or blanket, with the opening facing upwards, place the **Apartment Ladder Desk left leg** to the left and the **Apartment Ladder Desk right leg** to the right making sure the screw holes face inwards. Place both **Apartment Ladder Desk shelves**, with the front facing upwards, between the legs aligning the locating.

step 3



Fasten the **Apartment Ladder Desk body** by assembling the **Large screws** from inside the box locating into threaded inserts in the legs.

step 4



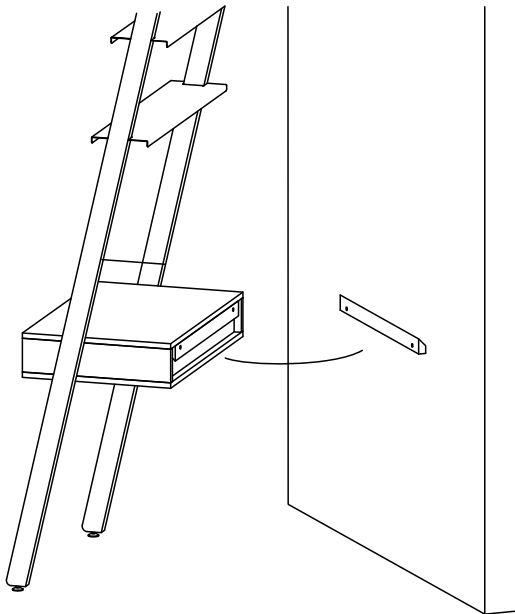
Fasten the two **Apartment Ladder Desk shelves** similarly at the same time by using the **Medium Screws** supplied. Make sure your shelves have the **front** facing upwards.

Apartment Ladder Desk.

Product code KUS02/3-3003

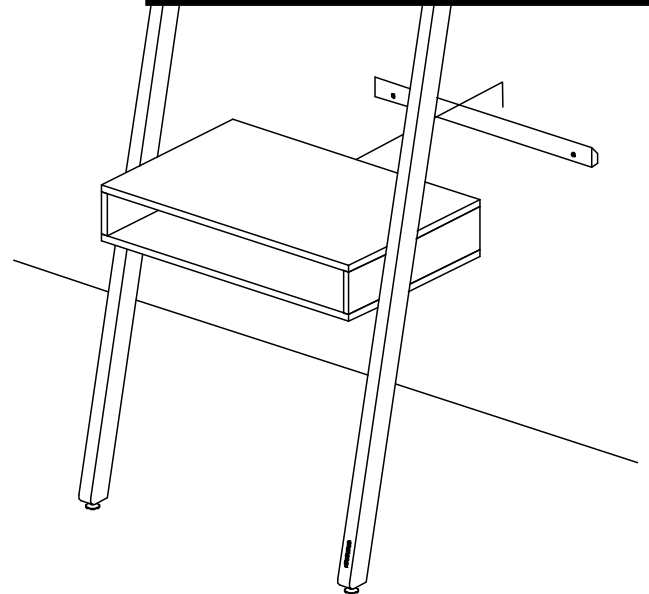
KUSUDICO
Purpose Driven Conscious Living

step 5



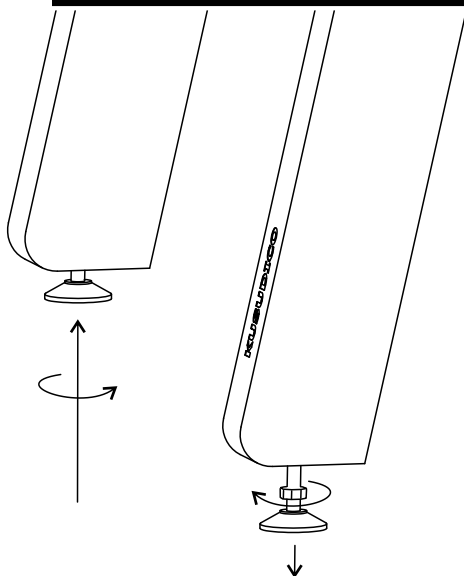
Place the now assembled **Apartment Ladder Desk** onto the wall where your **Apartment Ladder Desk wall cleat** was fastened.

step 6



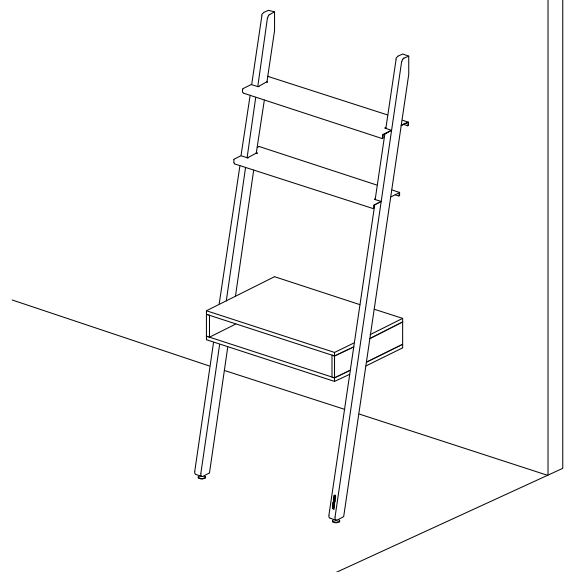
Lift the **Apartment Ladder Desk body** over the **Apartment Ladder Desk wall cleat** and drop it slightly so that it slots into the cleat locating sturdily.

step 7



Turn the Adjustable feet on both **Apartment Ladder Desk legs** in or out to level your desk top with your environment before using.

step 8



Make sure all screws are tight and that the **Apartment Ladder Desk body** is firmly connected to the **Apartment Ladder Desk wall cleat** and level before using.