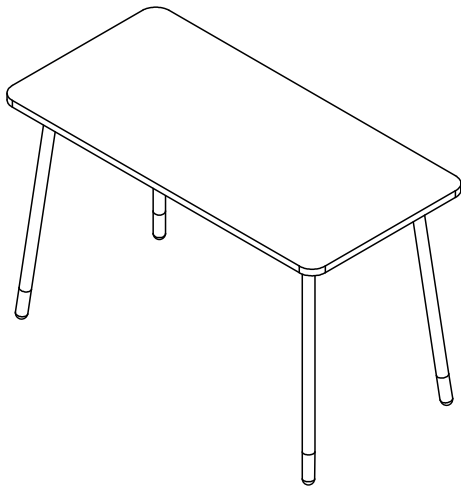


# Loft Desk.

Product code KUS02/3-3001

# KUSUDICO

Purpose Driven Conscious Living



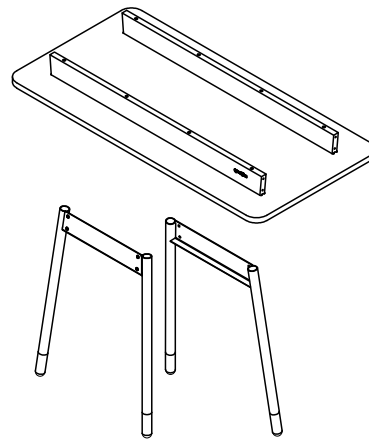
Thank you for purchasing the **Loft Desk**. This page lists all the contents included in the box. Please take the time to identify the hardware as well as the individual components to this product.

## Assembly hardware:



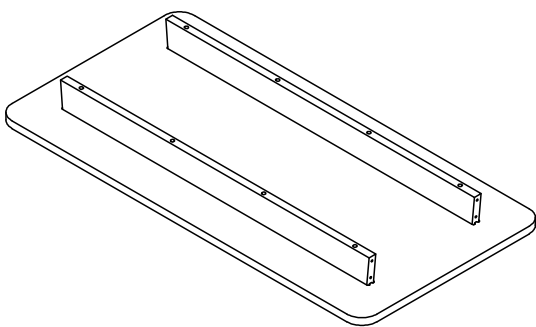
4 x Large Screws, 1 x Allen wrench (included)

## Components in the box:



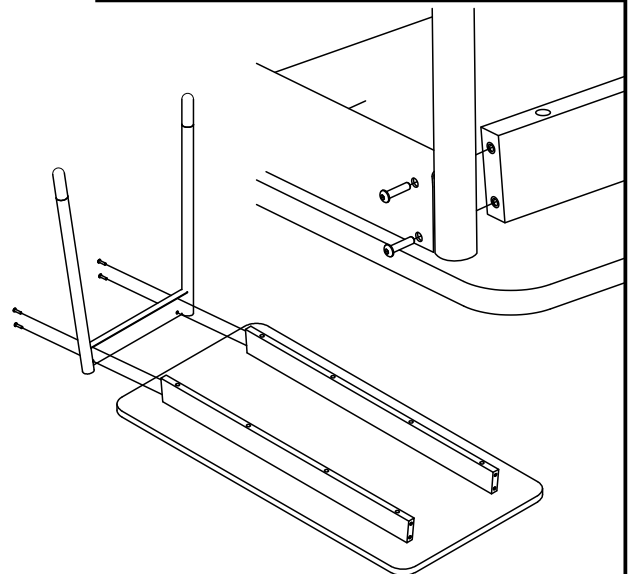
1 x Loft desk top, 2 x Loft desk legs

### step 1



Place the **Loft desk top** upside down on a flat solid surface, preferably a padded or carpeted area to protect the piece from being scratched.

### step 2



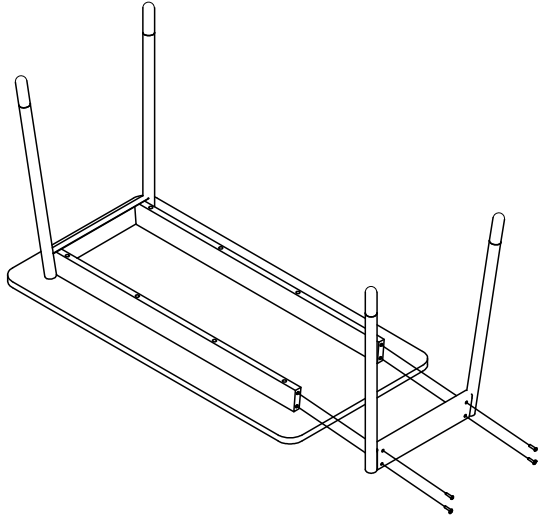
Locate a **Loft desk leg** on one end of the **Loft desk top**, aligning the holes in the leg with the thread in the Loft desk top wooden aprons. Fasten with **Large screws**.

# Loft Desk.

Product code KUS02/3-3001

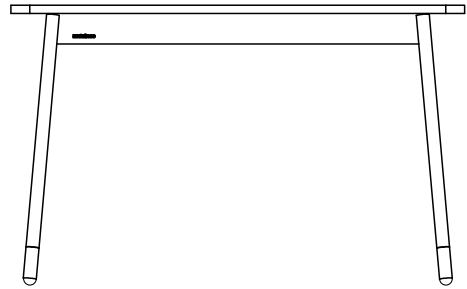
**KUSUDICO**  
Purpose Driven Conscious Living

## step 3



Locate the other **Loft desk leg** to the other side and fasten in the same way.

## step 4



Carefully turn your completed **Loft desk** the right side around and place it in your intended space.