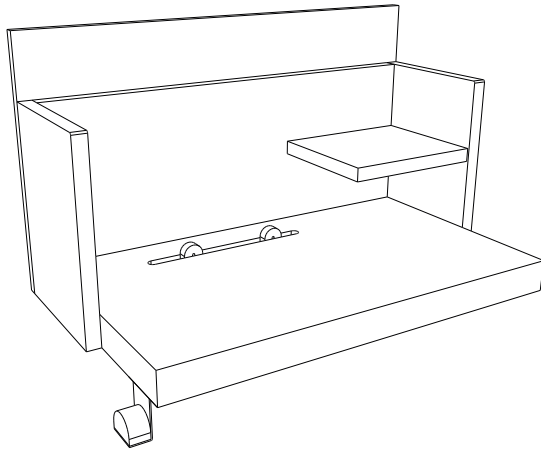


Loft Living Wall Desk

Product code KUS02/2-3004

KUSUDICO

Purpose Driven Conscious Living



Thank you for purchasing the **Loft Living Wall Desk**. This page lists all the contents included in the box. Please take the time to identify the hardware as well as the individual components to this product.

Assembly hardware:



6 x Furniture Bolts
6 x 25mm



2 x Steel Dowels



1 x Steel Dowel with extension



3 x Cam Locks

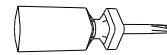


1 x Mushroom Bolt
6 x 10mm (black)

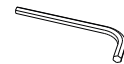


2 x Nail in Anchors

Assembly tools:

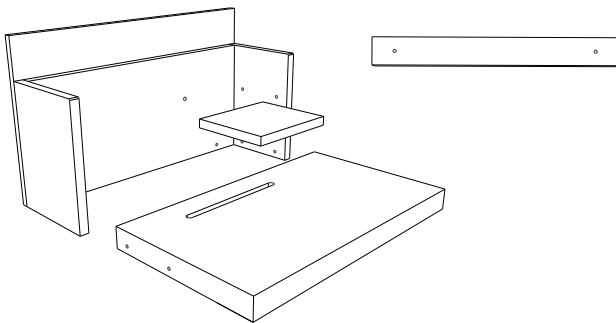


Screw Driver Flat



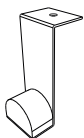
Allen Key 4mm

Components in the box:



1 x Wall desk surround with back panel & cleat
1 x Shelf
1 x Counter
1 x Wall cleat

Accessories in the box:

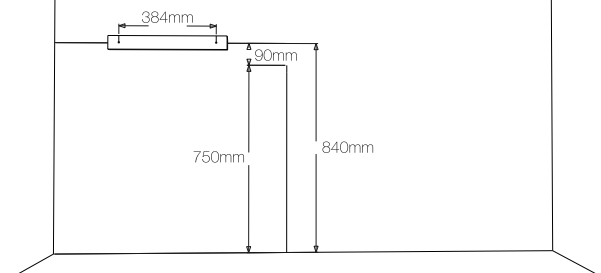


1 x Headphone / bag hook

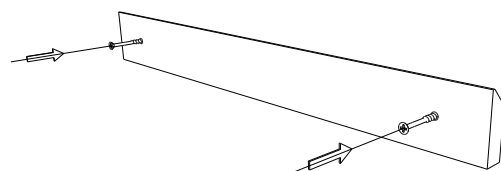


2 x Felt Tabs

step 1



The **Loft Living Wall Desk** cleat should be fixed at a height of 90mm above your desired counter height. For a 750mm counter height, mark a point at 840mm from the floor to the centre point of the nail in anchor point. Fasten the cleat into the wall with **Nail-in Anchor Screws**, making sure that the long flat side of the cleat is facing down.

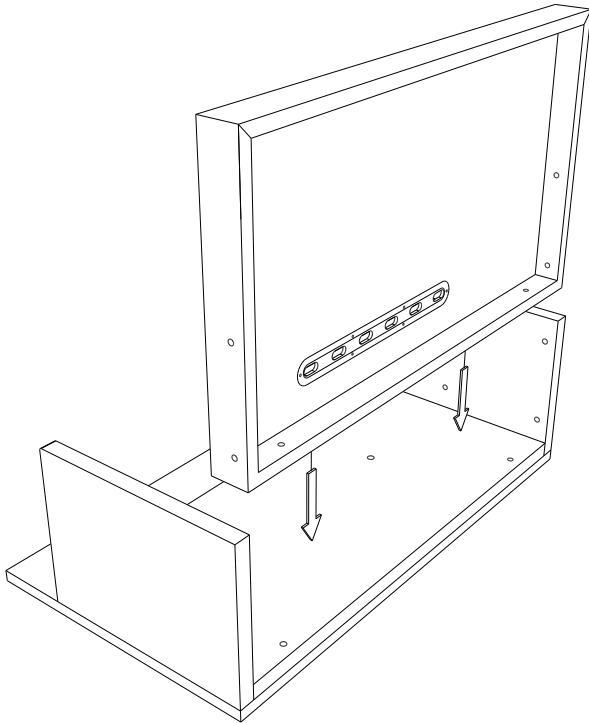


Loft Living Wall Desk

Product code KUS02/2-3004

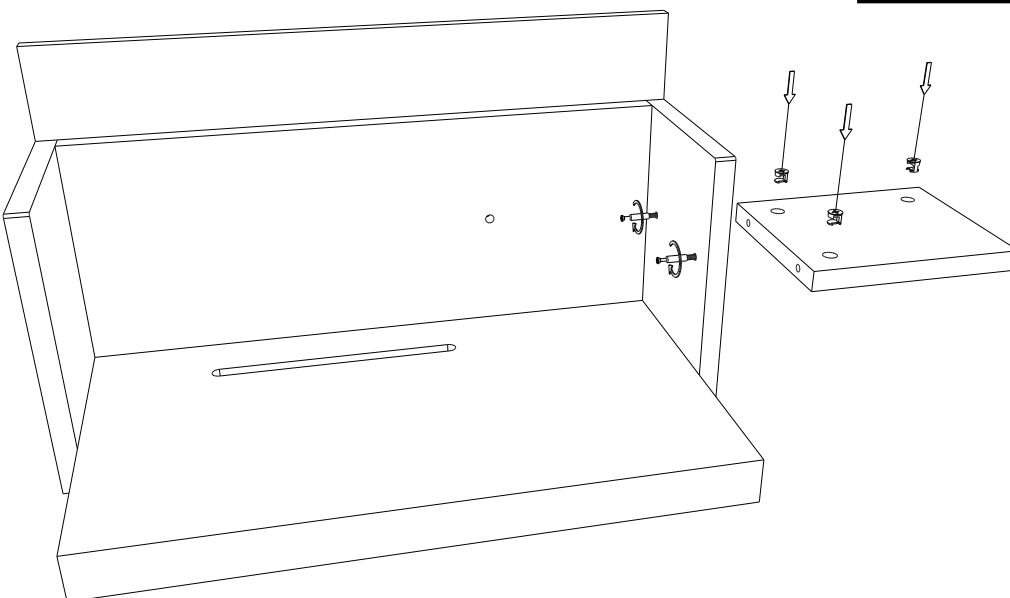
KUSUDICO
Purpose Driven Conscious Living

step 2



Slide the counter into the **Loft Living Wall Desk** surround, ensuring that the bottom of the counter is flush with the bottom of the side panels. Align the furniture bolts with the threaded insert located in the side panels and the back panel of the **Loft Living Wall Desk**. Tighten the furniture bolts using the 4mm allen key.

step 3



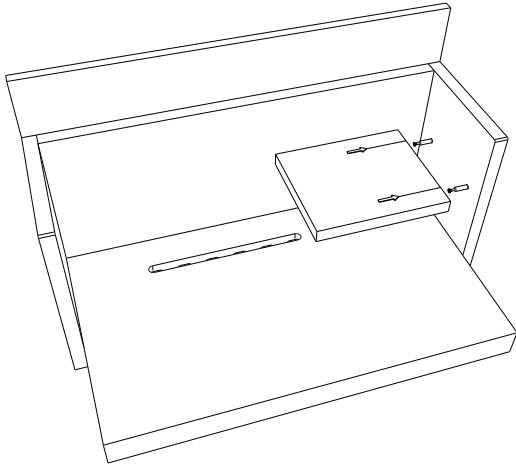
Screw the steel dowels into the threaded inserts located in the right hand side panel of the **Loft Living Wall Desk**. Insert the cam locks into the holes on the underside of the small shelf.

Loft Living Wall Desk

Product code KUS02/2-3004

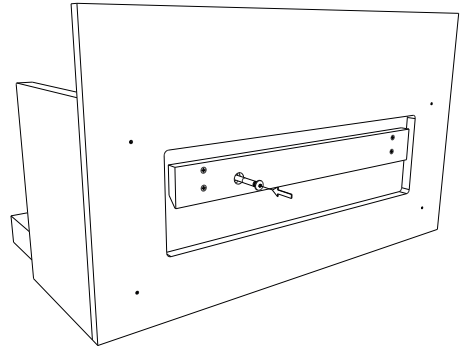
KUSUDICO
Purpose Driven Conscious Living

step 4



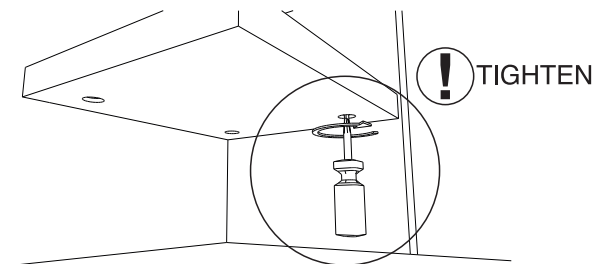
Align the steel dowels on the side panel of the **Loft Living Wall Desk** with 2 of the cam locks in the small shelf.

step 5



Locate the last cam lock in the shelf by inserting the steel dowel with extension through the wall cleat fixed to the back panel of the **Loft Living Wall Desk**

step 6



Tighten all 3 cam locks on the underside of the shelf with the flat head screw driver provided.

step 7

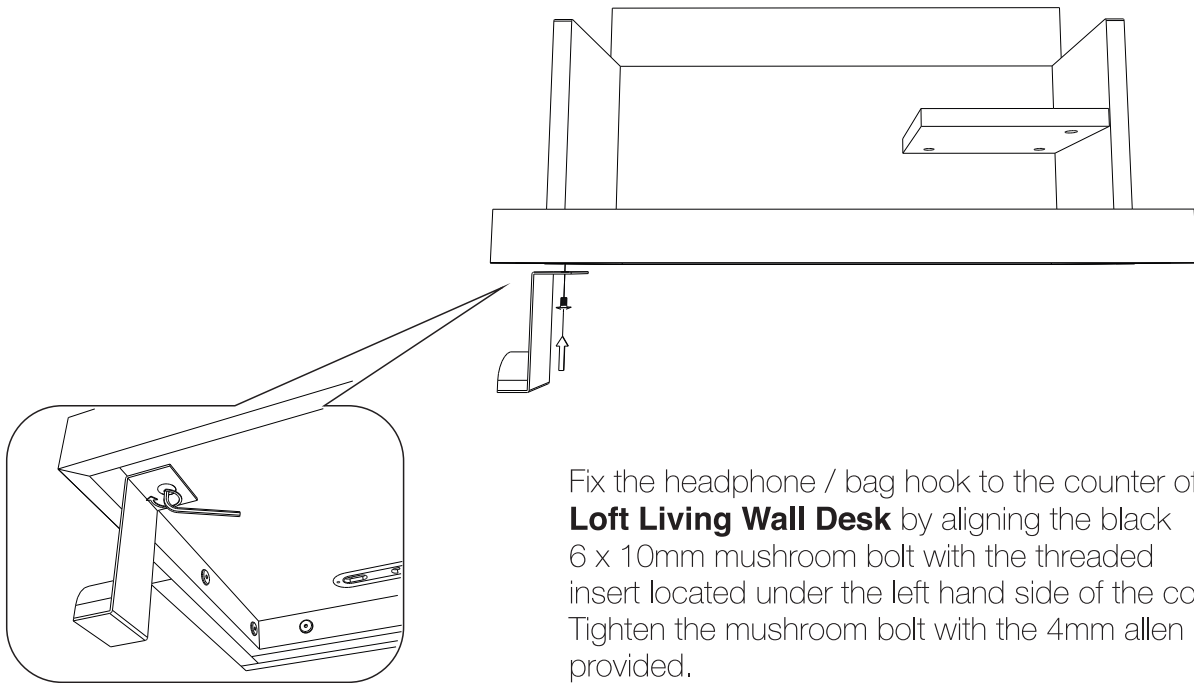
Check that all bolts and cam locks are tight and then mount the **Loft Living Wall Desk** onto the cleat that was fixed onto the wall in step one.

Loft Living Wall Desk

Product code KUS02/2-3004

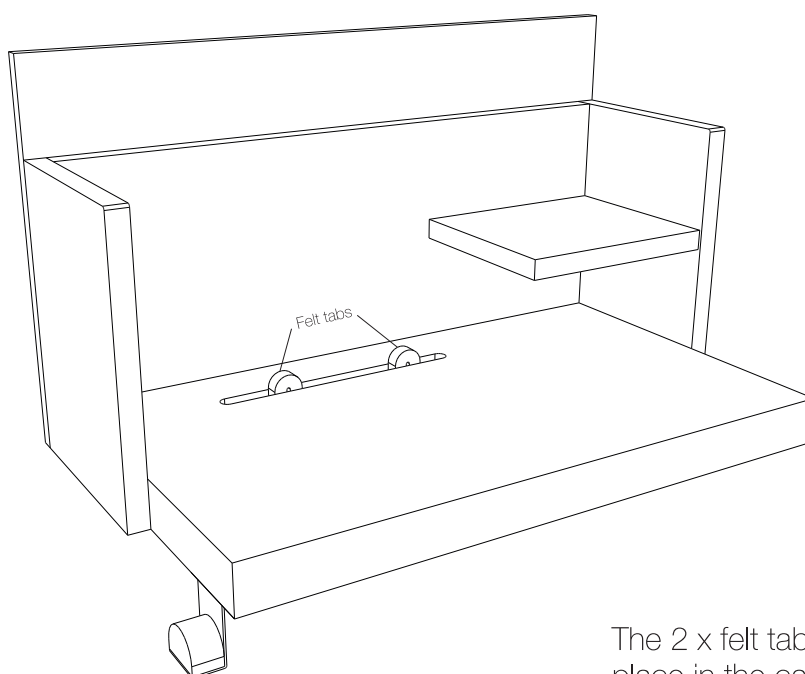
KUSUDICO
Purpose Driven Conscious Living

step 8



Fix the headphone / bag hook to the counter of the **Loft Living Wall Desk** by aligning the black 6 x 10mm mushroom bolt with the threaded insert located under the left hand side of the counter. Tighten the mushroom bolt with the 4mm allen key provided.

step 9



The 2 x felt tabs can be used to hold your cables in place in the cable slot that is set into the counter of the **Loft Living Wall Desk**.