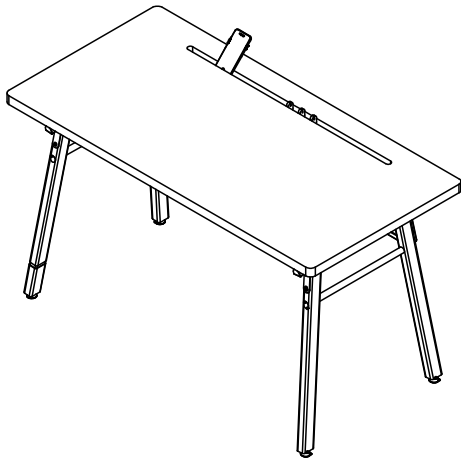


Studio Modern Functional Desk.

Product code KUS02/3-3002

KUSUDICO
Purpose Driven Conscious Living

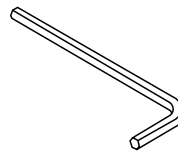


Thank you for purchasing the **Studio Modern Functional Desk**. This page lists all the contents included in the box. Please take the time to identify the hardware as well as the individual components to this product.

Assembly hardware:



8 x Medium Screws,



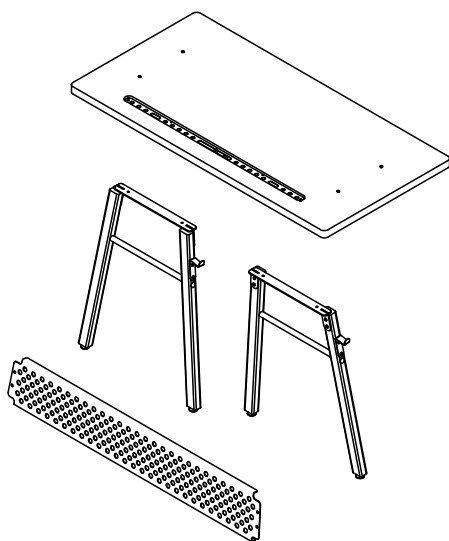
1 x Allen wrench (included)

User Components:



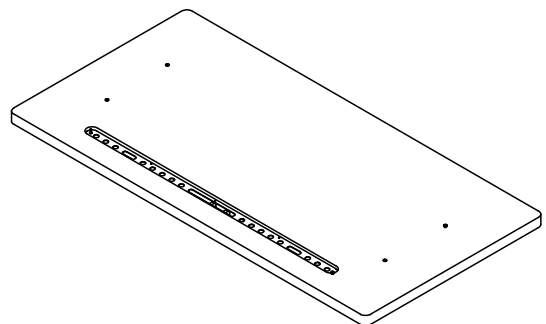
4 x Felt cable tabs

Components in the box:



1 x Studio Modern desk top
2 x Studio Modern desk legs
1 x Studio Modern desk cable apron

step 1



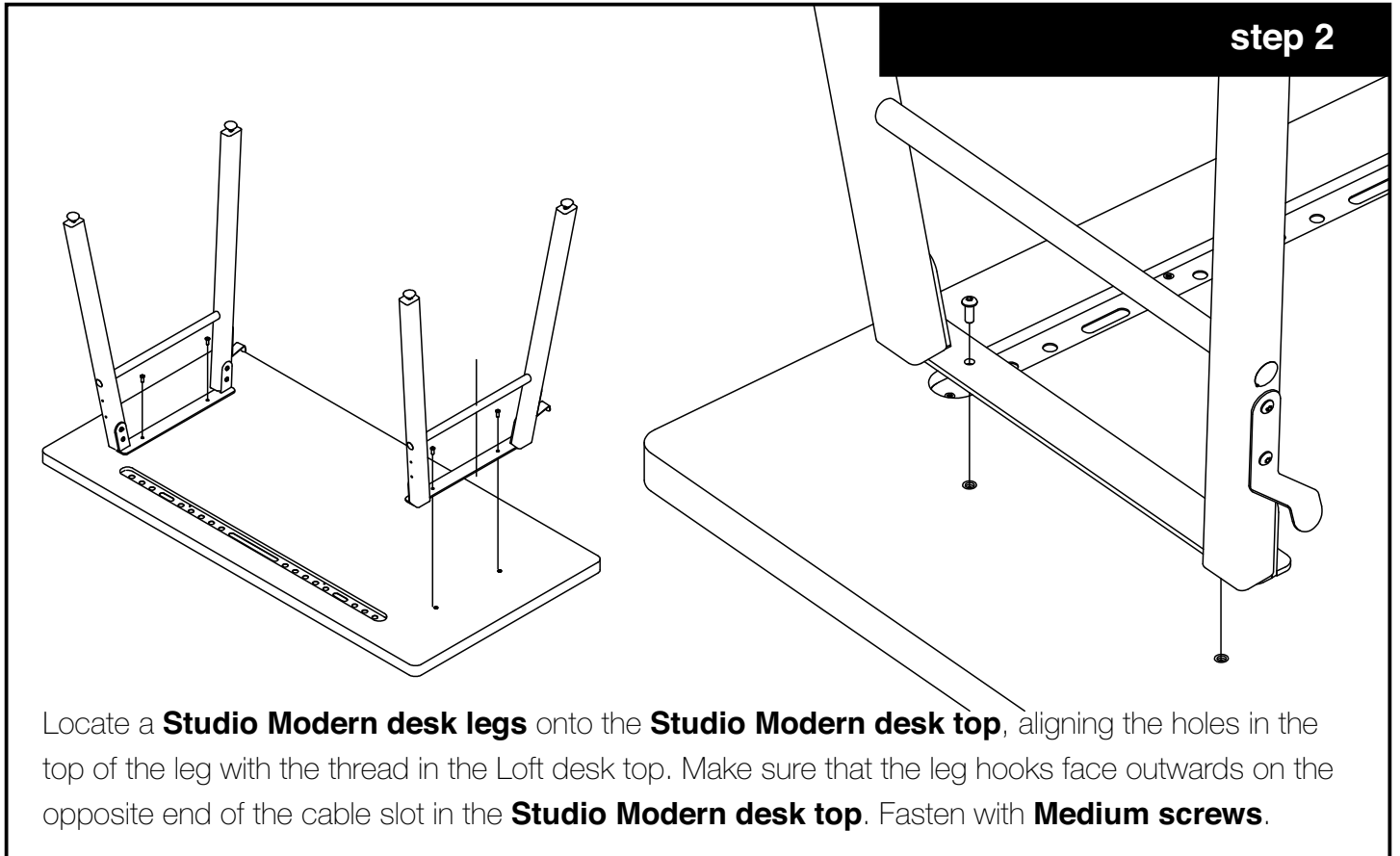
Place the **Studio Modern desk** top upside down on a flat solid surface, preferably a padded or carpeted area to protect the piece from being scratched.

Studio Modern Functional Desk.

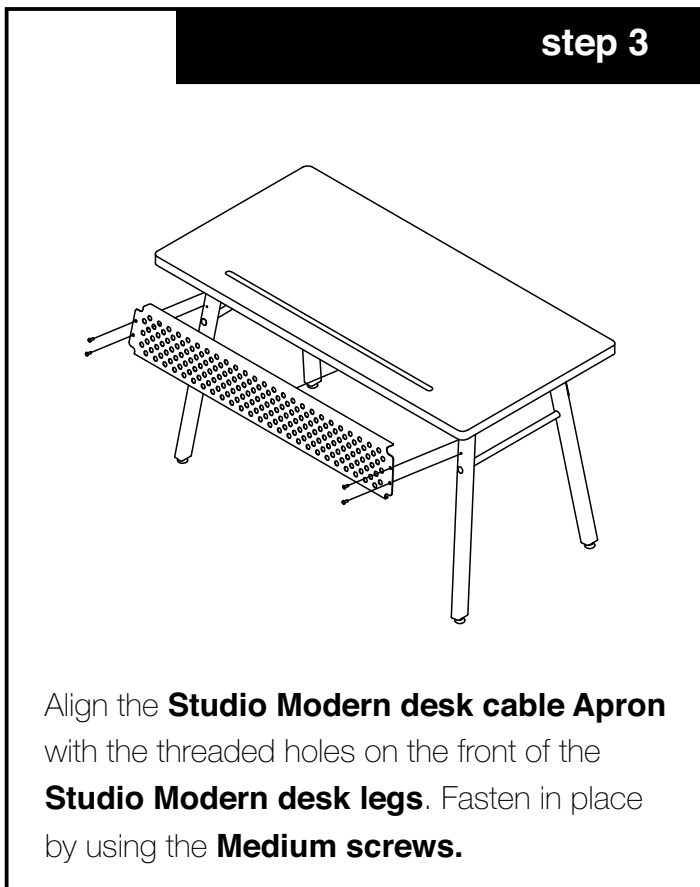
Product code KUS02/3-3002

KUSUDICO

Purpose Driven Conscious Living



Locate a **Studio Modern desk legs** onto the **Studio Modern desk top**, aligning the holes in the top of the leg with the thread in the Loft desk top. Make sure that the leg hooks face outwards on the opposite end of the cable slot in the **Studio Modern desk top**. Fasten with **Medium screws**.



Align the **Studio Modern desk cable Apron** with the threaded holes on the front of the **Studio Modern desk legs**. Fasten in place by using the **Medium screws**.



Insert the **Felt cable tabs** into the slotted area on the **Studio Modern desk top** and arrange as needed. Make sure your **Studio Modern desk** is sturdy and there are no loose screws. Place it in your intended space and enjoy.