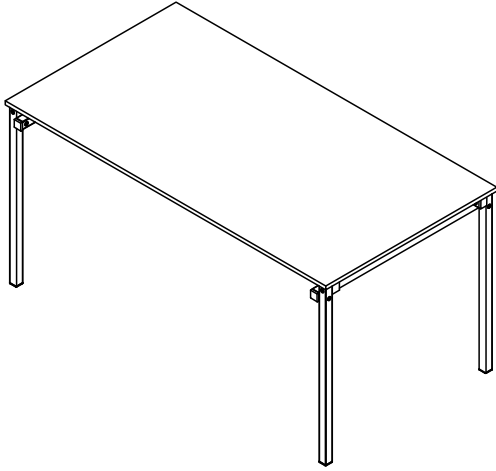


# Urban Designer Table

Product code KUS02/3-2005

**KUSUDICO**  
Purpose Driven Conscious Living



Thank you for purchasing the **Urban Designer Table**. This page lists all the contents included in the box. Please take the time to identify the hardware as well as the individual components to this product.

## Assembly hardware:

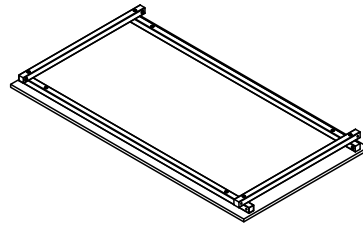


8 x Large Screws, 8 x Screw Connectors,  
1 x Allen wrench

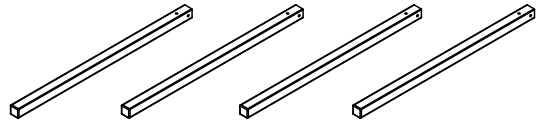


## Components in the box:

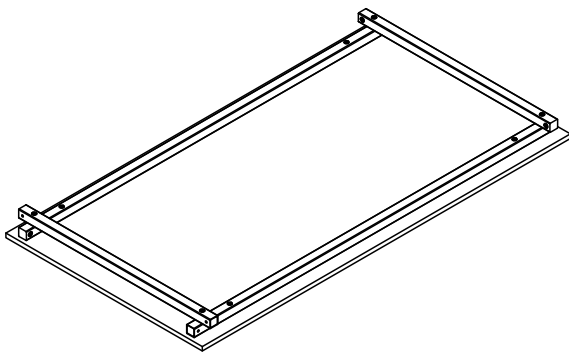
1 x Urban Designer Top assembly



4 x Urban Designer Legs

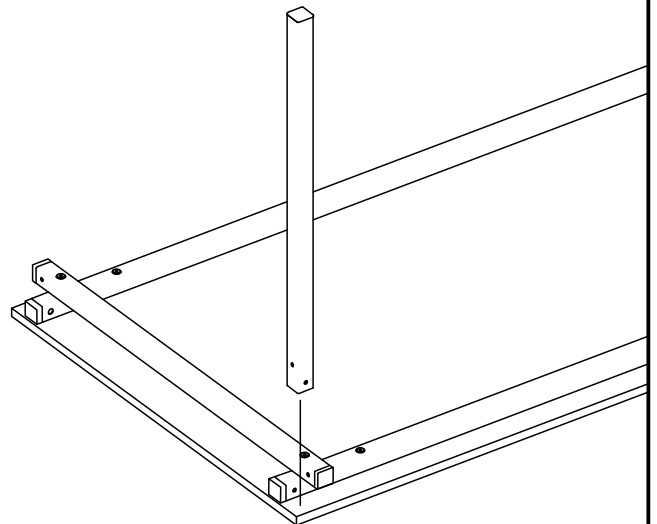


## step 1



Place the **Urban Designer Top Assembly** upside down on a flat solid surface, preferably a padded or carpeted area to protect the piece from being scratched.

## step 2



Place an **Urban Designer Leg** upside down in a corner between the two square tubes as per image. Make sure to align the holes.

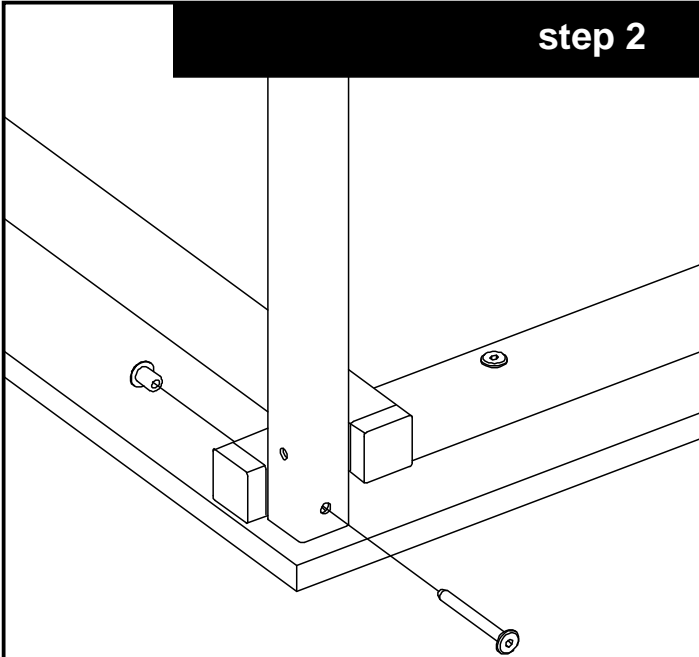
# Urban Designer Table

Product code KUS02/3-2005

# KUSUDICO

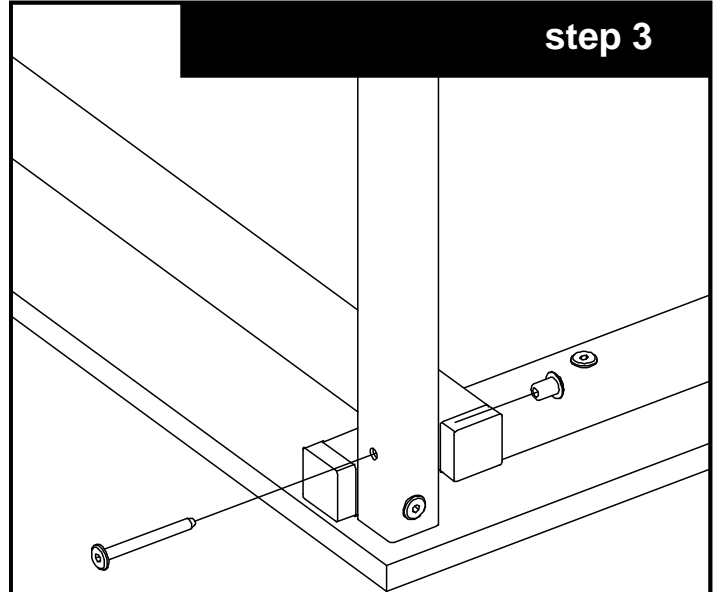
Purpose Driven Conscious Living

## step 2



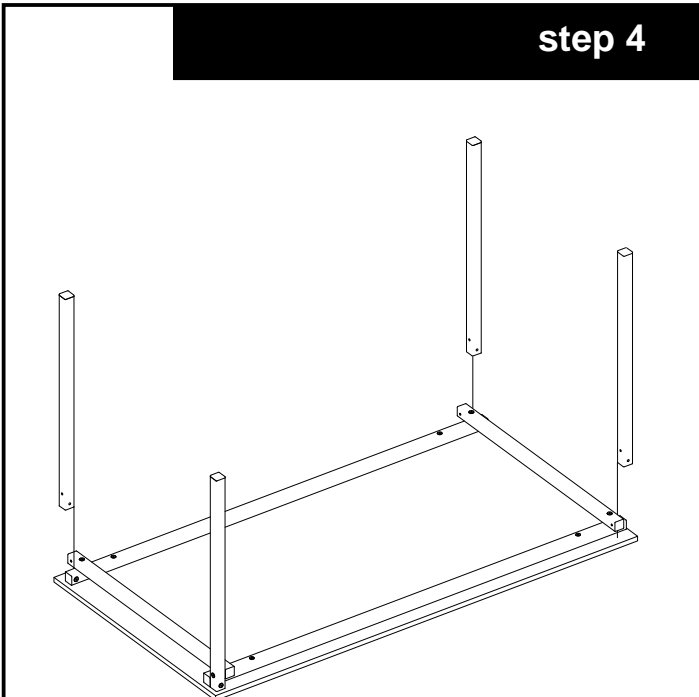
Make sure the first holes align and then fasten the **Urban Designer Leg** to the frame by using a **Large Screw** on the outside and a **Screw Connector** on the inside.

## step 3



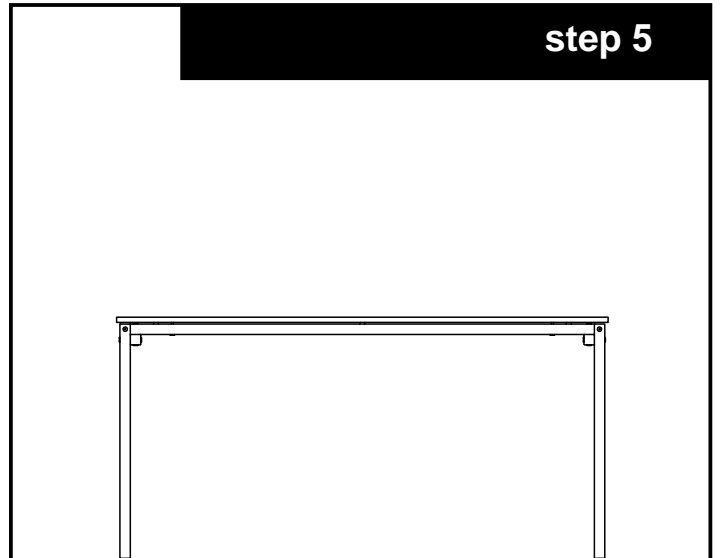
Make sure the Second holes align and then fasten the **Urban Designer Leg** to the frame by using a **Large Screw** on the outside and a **Screw Connector** on the inside.

## step 4



Fasten the other 3 x **Urban Designer Legs** in the same way.

## step 5



Carefully turn your completed **Loft Living Cafe Table** the right side around and place it in your intended space.